

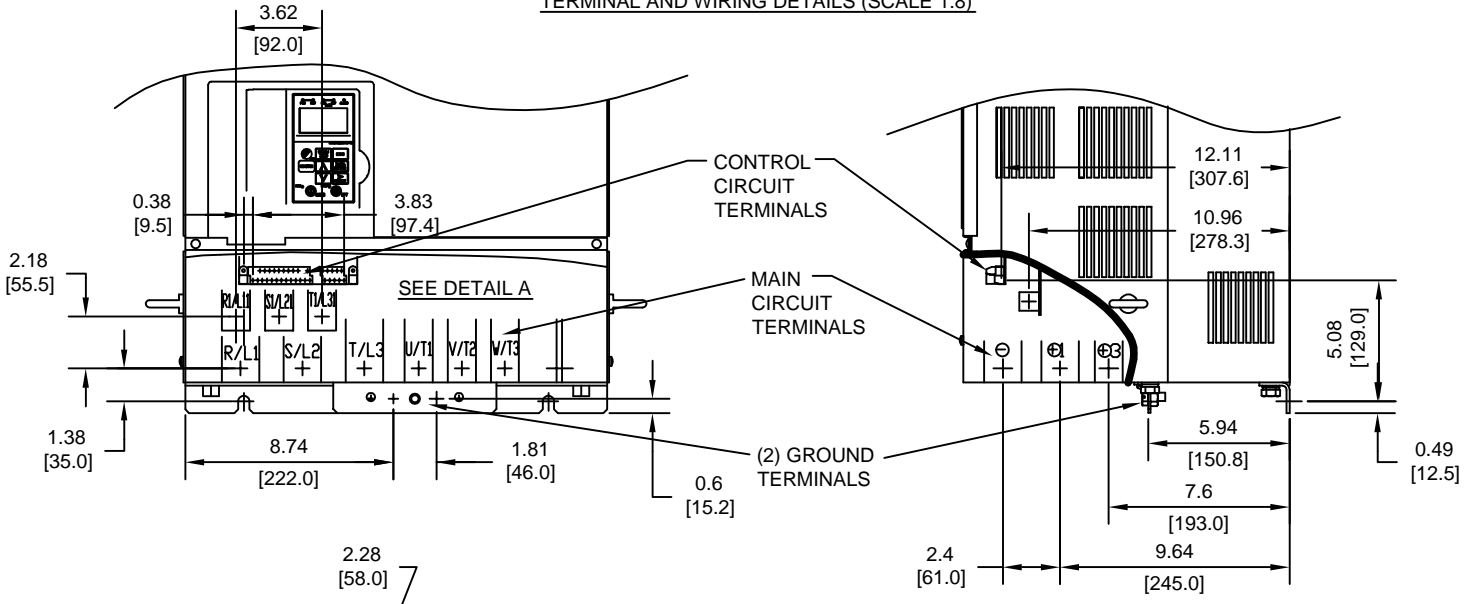
MODEL # CIMR-E7U	VOLTAGE (VAC)	OUTPUT CURRENT (A)	WEIGHT LBS (Kg)	HEAT LOSS (W)		
				INT	EXT	TOTAL
2055	208/230	215	189 (85.9)	619	1588	2207
2075		312	191 (86.8)	844	1956	2800
4075	480	156	194 (88.2)	562	1285	1847
4090		180	196 (89.1)	673	1614	2287

INT=INTERNAL COMPONENTS
EXT=EXTERNAL HEATSINK

FOR ADDITIONAL DETAILS AND SPECIFICATIONS, CONSULT MANUAL

TOLERANCES/REFERENCES: -	<p>YASKAWA A World of Automation Solutions™</p> <p>YASKAWA ELECTRIC AMERICA, INC. Corporate Headquarters 2121 Norman Drive South Waukegan, IL 60085 1-800-YASKAWA http://www.yaskawa.com</p>	DRAWN: J. MATTAS	DATE 4-27-05	TITLE: E7 DIMENSION DRAWING		
		CHECKED: M. RUCINSKI	DATE 6-6-05	FRAME SIZE 10		
UNITS: IN[mm]	SCALE: 1:10	TECH: J. CAIRO	DATE 4-28-05	IP00 ENCLOSURE		
		APPROVED: T. SASADA	DATE 6-6-05	SIZE A	REVISION R00	PAGE 1 of 3
		ORIGINAL DESIGN: -	DATE -	DRAWING #: DD.E7.FR10.IP00.01		

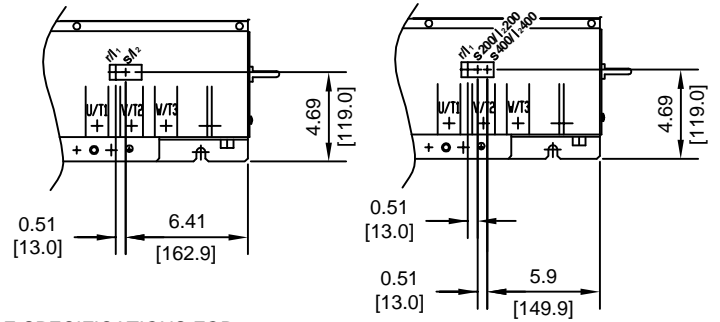
TERMINAL AND WIRING DETAILS (SCALE 1:8)



DETAIL A (SCALE 1:10)

MODELS E7U2055 AND E7U2075

MODELS E7U4075 AND E7U4090



TERMINAL AND WIRE SPECIFICATIONS FOR MAIN CIRCUIT AND GROUND

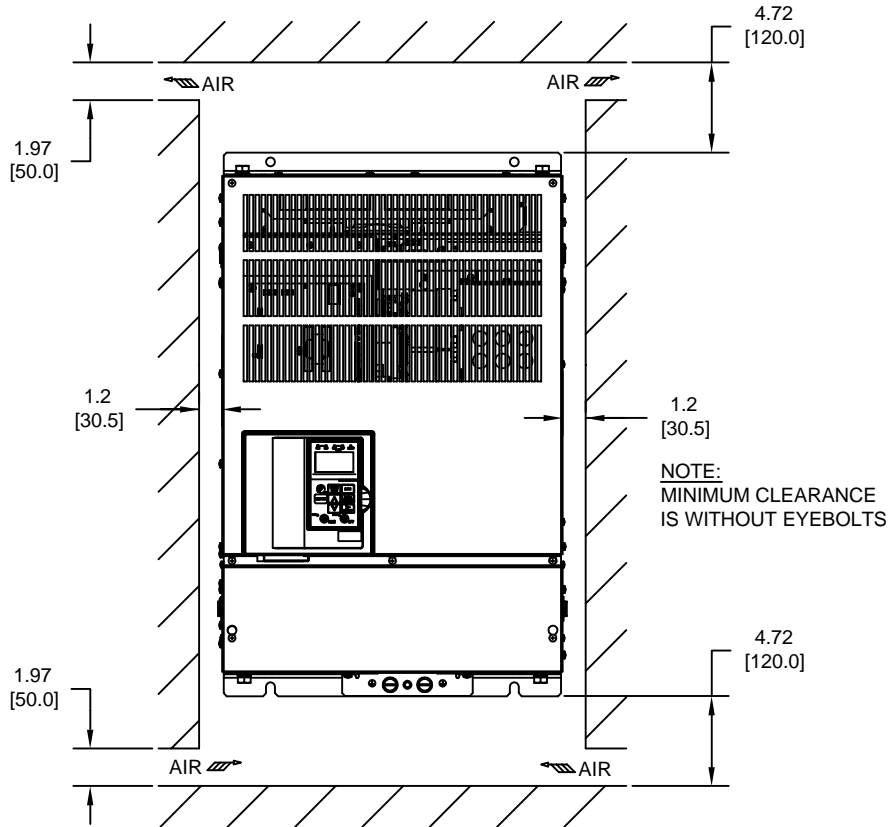
MODEL # CIMR-E7U	TERMINAL SYMBOL	TERMINAL SCREW	CLAMPING TORQUE lb.in.(N.m.)
2055	R/L1, S/L2, T/L3, ⊙, ⊕1, ⊕, U/T1, V/T2, W/T3, R1/L11, S1/L21, T1/L31	M10	155 TO 198 (17.6 TO 22.5)
	⊕3	M8	78.0 TO 95.0 (8.8 TO 10.8)
	r1 1, s1 2	M4	11.4 TO 12.3 (1.3 TO 1.4)
2075	R/L1, S/L2, T/L3, U/T1, V/T2, W/T3, R1/L11, S1/L21, T1/L31	M10	155 TO 198 (17.6 TO 22.5)
	⊕3	M8	78.0 TO 95.0 (8.8 TO 10.8)
	⊙, ⊕1, ⊕, r1 1, s1 2	M12	277 TO 345 (31.4 TO 39.2)
4075	R/L1, S/L2, T/L3, ⊙, ⊕1, ⊕, U/T1, V/T2, W/T3, R1/L11, S1/L21, T1/L31	M10	155 TO 198 (17.6 TO 22.5)
	⊕3	M8	78.0 TO 95.0 (8.8 TO 10.8)
	r1 1, s200/ 2200, s400/ 2400	M4	11.4 TO 12.3 (1.3 TO 1.4)
4090	R/L1, S/L2, T/L3, ⊙, ⊕1, ⊕, U/T1, V/T2, W/T3, R1/L11, S1/L21, T1/L31	M10	155 TO 198 (17.6 TO 22.5)
	⊕3	M8	78.0 TO 95.0 (8.8 TO 10.8)
	r1 1, s200/ 2200, s400/ 2400	M4	11.4 TO 12.3 (1.3 TO 1.4)

NOTE: REFER TO APPLICABLE CODES FOR PROPER WIRE TYPE AND SIZE

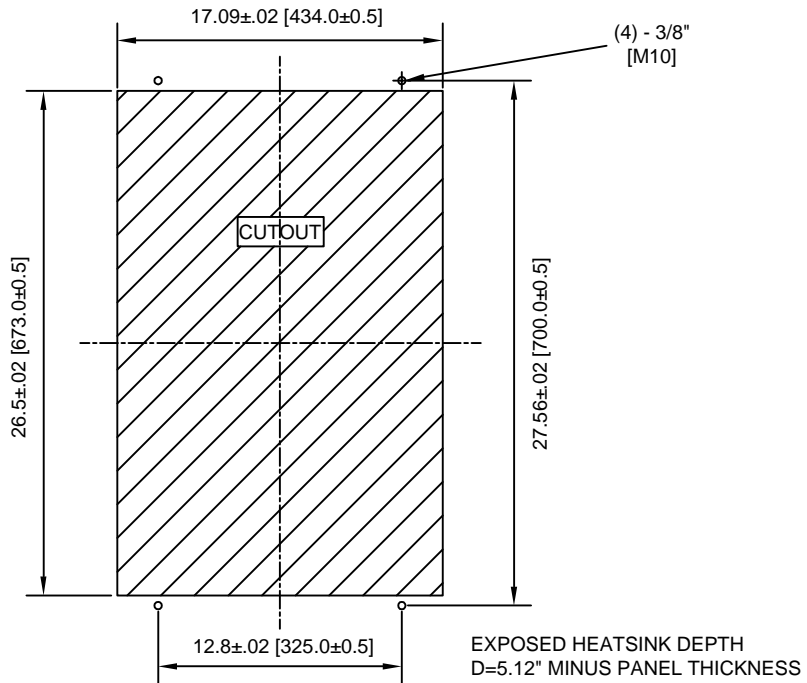
FOR ADDITIONAL DETAILS AND SPECIFICATIONS, CONSULT MANUAL

TOLERANCES/REFERENCES: - - - - -	<p>YASKAWA A World of Automation Solutions™</p> <p>YASKAWA ELECTRIC AMERICA, INC. Corporate Headquarters 2121 Norman Drive South Waukegan, IL 60085 1-800-YASKAWA http://www.yaskawa.com</p>	DRAWN: J. MATTAS	DATE 4-27-05	TITLE: E7 DIMENSION DRAWING		
		CHECKED: M. RUCINSKI	DATE 6-6-05	FRAME SIZE 10		
		TECH: J. CAIRO	DATE 4-28-05	IP00 ENCLOSURE		
		APPROVED: T. SASADA	DATE 6-6-05	E7U2055 TO 2075, 4075 TO 4090		
UNITS: IN[mm]	SCALE: BY VIEW	ORIGINAL DESIGN: -	DATE -	SIZE A	REVISION R00	PAGE 2 of 3
			DRAWING #: DD.E7.FR10.IP00.01			

MINIMUM INSTALLATION CLEARANCES (SCALE 1:10)



PANEL CUTOUT FOR EXTERNAL HEATSINK MOUNTING CONFIGURATION (SCALE 1:10)



FOR ADDITIONAL DETAILS AND SPECIFICATIONS, CONSULT MANUAL

TOLERANCES/REFERENCES: -		<p>YASKAWA A World of Automation Solutions™</p> <p>YASKAWA ELECTRIC AMERICA, INC. Corporate Headquarters 2121 Norman Drive South Waukegan, IL 60085 1-800-YASKAWA http://www.yaskawa.com</p>	DRAWN: J. MATTAS DATE: 4-27-05	TITLE: E7 DIMENSION DRAWING		
UNITS: IN[mm]	SCALE: BY VIEW		CHECKED: M. RUCINSKI DATE: 6-6-05	FRAME SIZE 10 IP00 ENCLOSURE		
		TECH: J. CAIRO DATE: 4-28-05	E7U2055 TO 2075, 4075 TO 4090			
		APPROVED: T. SASADA DATE: 6-6-05	SIZE: A	REVISION: R00	PAGE: 3 of 3	
		ORIGINAL DESIGN: -	DRAWING #: DD.E7.FR10.IP00.01			